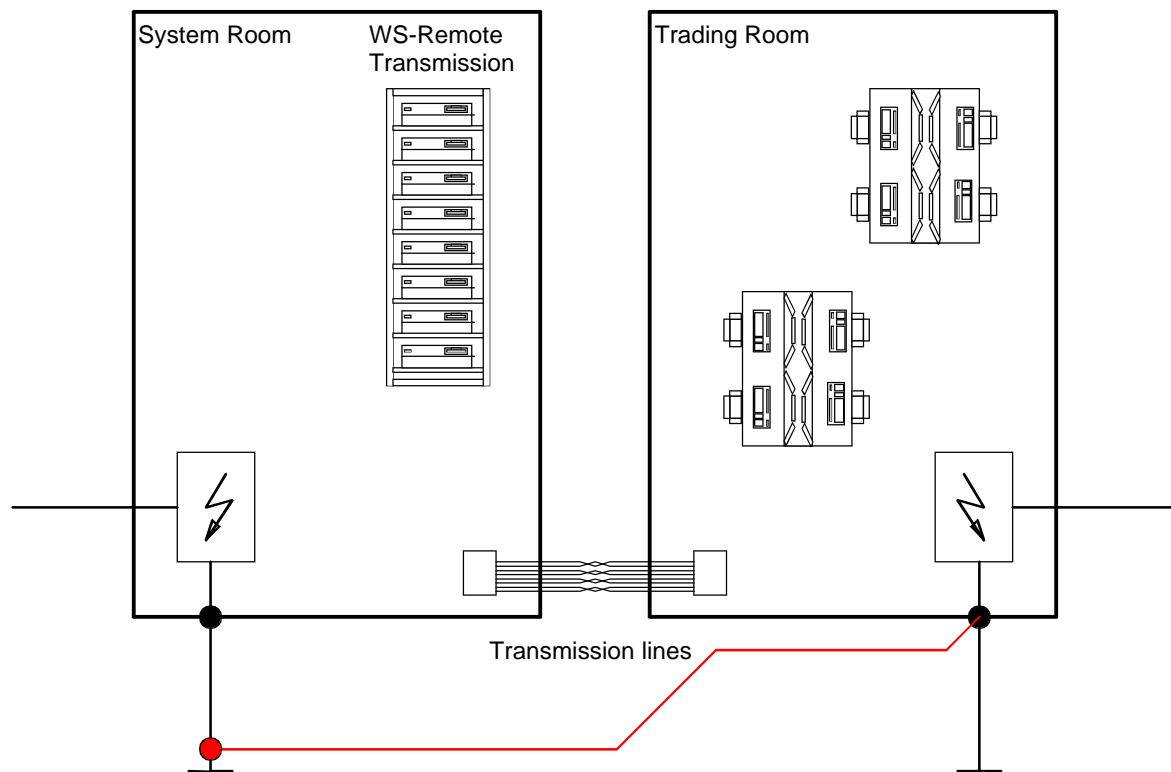


WS REMOTE - GROUNDING RULES

Important is, that the system room equipped with the remote PC's and the trading room with the workplaces, are on the same ground level (Difference max 0.5Vpp) especially when each room is equipped with an own mains supply.



If there are potential differences between the rooms that exceed 0.5Vpp, we recommend to connect the grounding of the rooms in the way, drawn in red.

If there are other floors or rooms to be linked, we recommend to do the same grounding.

In not doing so, there is the risk to have faulty equipment (PC's, peripherals, a.s.o) whenever two not fully isolated devices are linked!