

KVM OVER IP

IP Remote

IP KVM Extender (Keyboard, Video, Mouse)



WHY WEYTEC

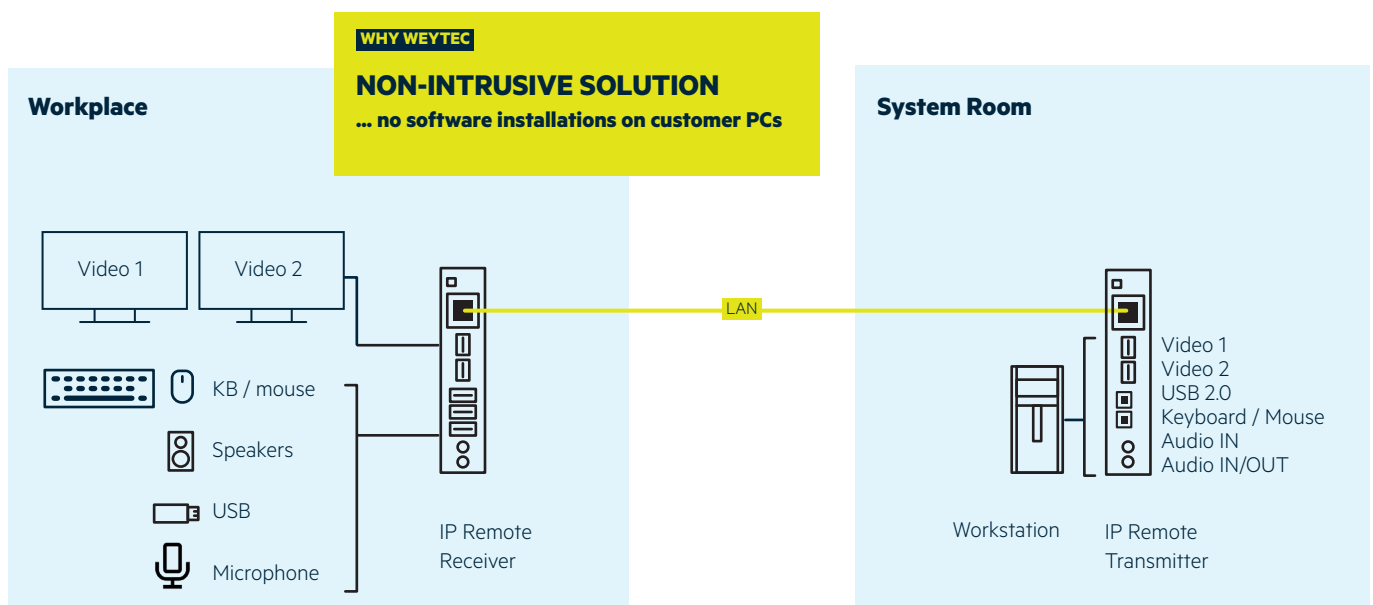
HIGH SPEED, LOW LATENCY
... real-time transmission via TCP/IP

WEYTEC KVM over IP solutions house all your PCs and information sources in a centralized server room where they are stored, protected, cooled cost-effectively, and maintained easily and efficiently. This saves electricity, increases the average life span of hardware, precludes breaches of IT security and virtually eliminates expensive moves, adds and changes. In case of a PC failure, users can switch instantly to a spare device. KVM over IP solutions enhance workflow efficiency, workplace ergonomics and IT security.

- Remote dedicated, shared and switched PCs
- Digital transmission, standard IP
- Available with DVI (VGA) and DisplayPort
Video resolutions up to 2x 5K@60Hz or 1x 8K@60Hz
- Transparent USB 2.0
- Dual channel stereo audio
- Data transmission over copper and/or fiber with corresponding SFPs
- Increased rack density with dual transmitters and receivers
- Universally applicable for all hardware platforms
- No distance limitations

8K
ULTRA HD

Application example: Point-to-Point Environment

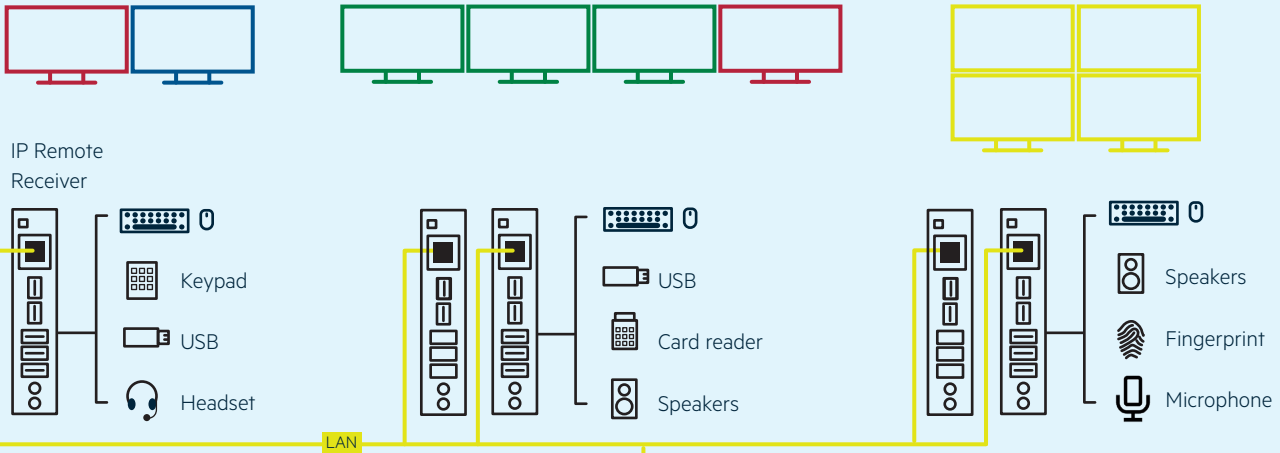


Application example: Switched Environment

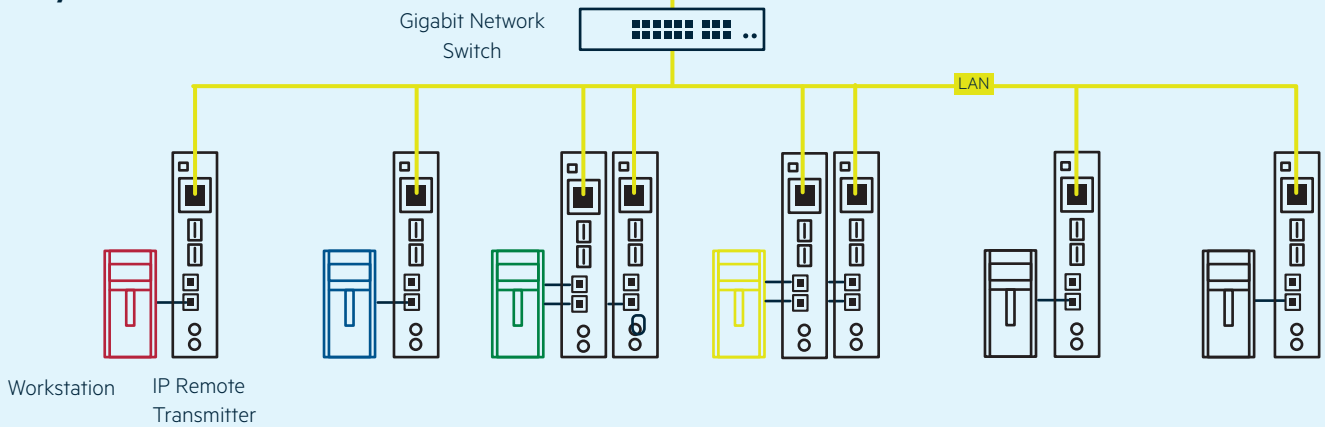
WHY WEYTEC

INDIVIDUALLY SWITCHABLE CHANNELS
... for video, keyboard/mouse, audio and USB

Workplace

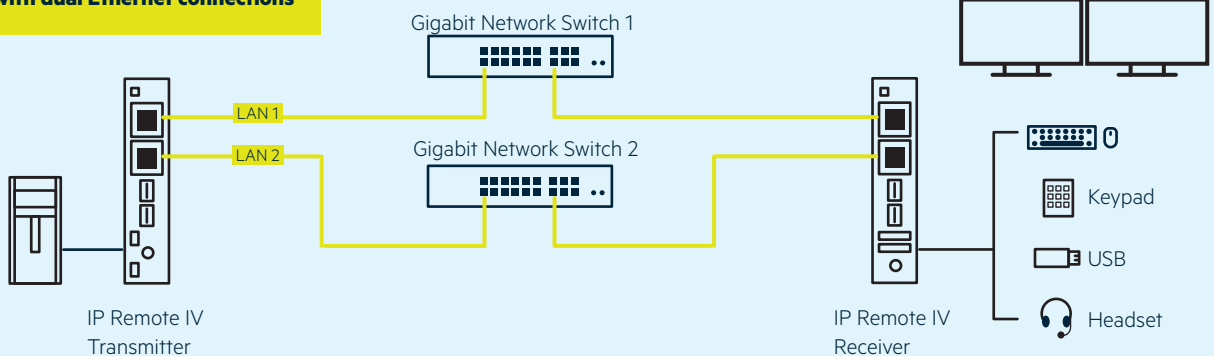


System Room









WHY WEYTEC

ENHANCED RELIABILITY
... with dual Ethernet connections



Available products

	IP Remote I Product No. 24870TR-X & 24870RR-X	IP Remote II Product No. 24872T-X & 24872R-X	IP Remote II DP Product No. 24872TDP-X & 24872RDP-X
			
Video (max. resolution)	2x DVI-I (DVI / VGA) 2x 1920x1200@60Hz or 1x 2560x1600 (Dual Link)	2x DVI-D 2x 1920x1200@60Hz	2x DisplayPort Channel 1: 2560x1600@60Hz Channel 2: 1920x1200@60Hz
USB	Keyboard/Mouse, MSD	Keyboard/Mouse, Transparent USB 2.0 Full-speed channel for isochronous USB devices	
Audio	Line (Stereo), Mic (Stereo)	Line (Stereo), Mic/Line (Stereo)	
Ethernet (SFP)	1 Gbit via copper or fiber		
Mounting	Chassis and Boxes		

	IP Remote III 4K Product No. 24873T-X & 24873R-X	IP Remote IV Product No. 24874T & 24874R
	 	 
Video (max. resolution)	2x Mini DisplayPort (mDP) 2x 4096x2160@60Hz	2x Mini DisplayPort (mDP) 2x 5120x2880@60Hz or 2x 7680x4320@30Hz or 1x 7680x4320@60Hz with 2 DP connections
USB	Keyboard/Mouse, Transparent USB 2.0 Full-speed channel for isochronous USB devices	Keyboard/Mouse, Transparent USB 2.0 High-Speed
Audio	Line (Stereo), Mic/Line (Stereo)	Line (Stereo) or Mic/Line (Stereo) Audio over DisplayPort
Ethernet (SFP)	1 / 2.5 / 5 Gbit via copper 1 / 10 Gbit via fiber	Dual SFP+ (redundant) 1 / 2.5 / 5 Gbit via copper, 1 / 10 Gbit via fiber
Mounting	Chassis and Boxes	