

KVM OVER IP

IP Remote USB

Using USB devices with WEYTEC KVM solutions



WHY WEYTEC

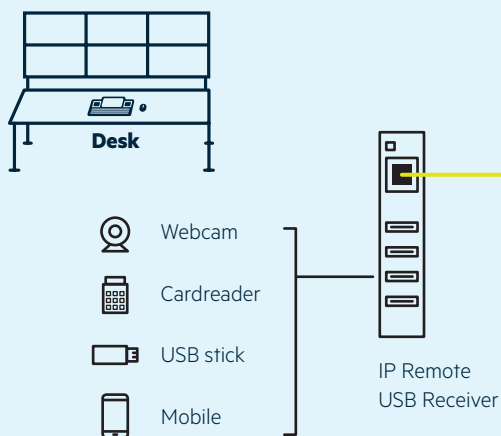
USB across multiple geographical locations and network segments (OSI layer 3)

WEYTEC IP Remote USB provides a transparent USB channel for devices such as hard disks, flash drives, fingerprint and card readers, audio devices, webcams and more. In combination with a WEYTEC distributionPLATFORM, USB connections can be switched between desks and PCs.

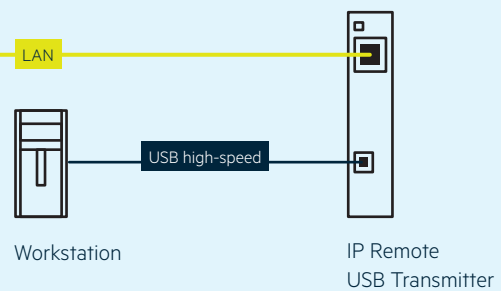
- Extend any USB device over standard IP networks
- Transparent USB (no drivers required)
- USB 2.0 high-speed
- Switchable, in combination with a WEYTEC distributionPLATFORM (WDP)
- Can be integrated into existing WEYTEC systems
- Works across multiple sites / network segments
- Built-in to WEYTEC KVM chassis and/or boxes

Application example: Point-to-Point Environment

Workplace



System Room

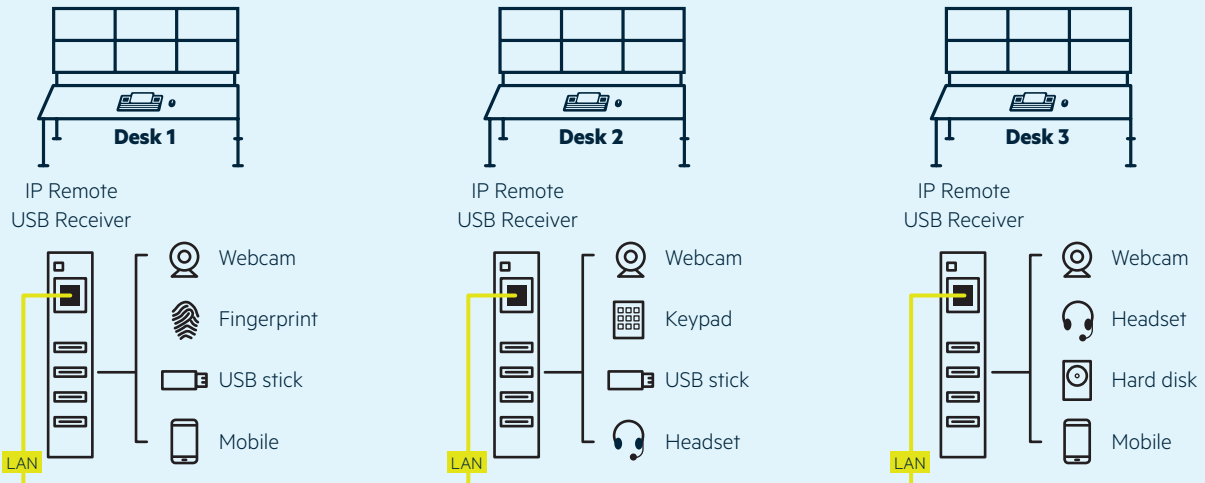


Application example: Switched Environment

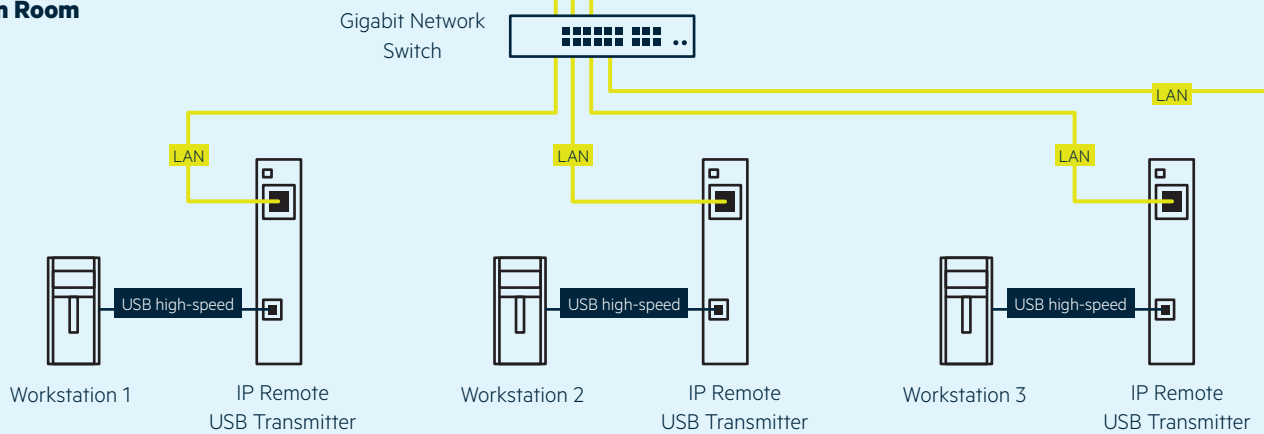
WHY WEYTEC

**Add transparent
USB 2.0 HIGH-SPEED
to existing WEYTEC systems**

Workplace



System Room



Available products

| | IP Remote USB II Transmitter Product No. 24876T | IP Remote USB II Receiver Product No. 24876R |
|--------------------|---|--|
| USB | 1 x USB 2.0 Type B high-speed (transparent mode), maximum cable length 3 m | 4 x USB 2.0 Type A high-speed (transparent mode), maximum cable length 5 m |
| Network | 1 x RJ45 1000 BASE-T, Cat 5e/6/7 | |
| USB (Service Port) | 1 x USB (2.0 full-speed) Type Mini B 5 Pin | |
| IEEE 802.3ab | 1000Base-T, Gigabit Ethernet | |
| Internet Protocol | IPv4 (fixed addressing), dedicated connection or via Ethernet switch/IP router ARP, ICMP Echo (ping), IGMPv3-Report (multicast) | |
| Mounting | Chassis and Boxes | |