

## TELECOMMUNICATION

# ATLAS

KVM for Control and Communication

## WHY WEYTEC

**USE MULTIPLE VOICE SYSTEMS**

... with one headset and a smartTOUCH keyboard

**ATLAS is the integration platform for operations and communication systems that help optimize work processes. By applying the latest technology, ATLAS has an intuitive user-friendly interface and helps to automate processes and workflows by integrating multiple systems.**

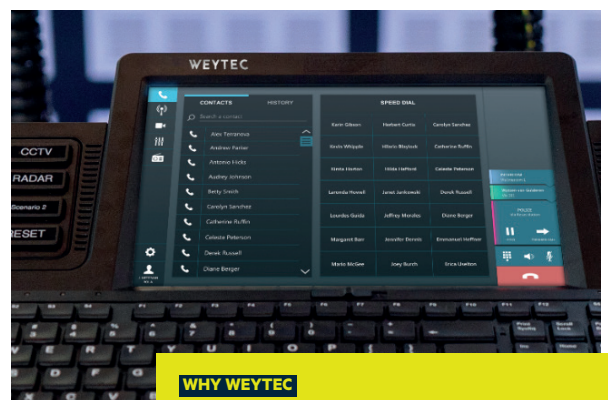
- User friendly interface
- Preference settings and user presets
- Simple operation via WEYTEC smartTOUCH
- Modular platform
- Integrated communication
- Communication management
- Ongoing development
- Compatible and integrated with WEYTEC KVM Products and Solutions

## Operation and visualization

ATLAS is specifically designed to support operators in their work when all systems must be immediately accessible. It combines multiple functionalities such as telephone and radio communications, including the prioritization of calls and workflow management. By integrating functionalities within one application, operators always remain in control. With the user-friendly interface, operators control all communication devices in an intuitive way.

ATLAS integrates seamlessly with the WEYTEC smartTOUCH keyboard. There is no need for extra training when adding more modules. The modules present operators with a clear overview, enhancing the efficiency of workflows.

The modular design makes it possible for users to choose and add only the functionalities they need. ATLAS is equally applicable in both simple and complex environments.

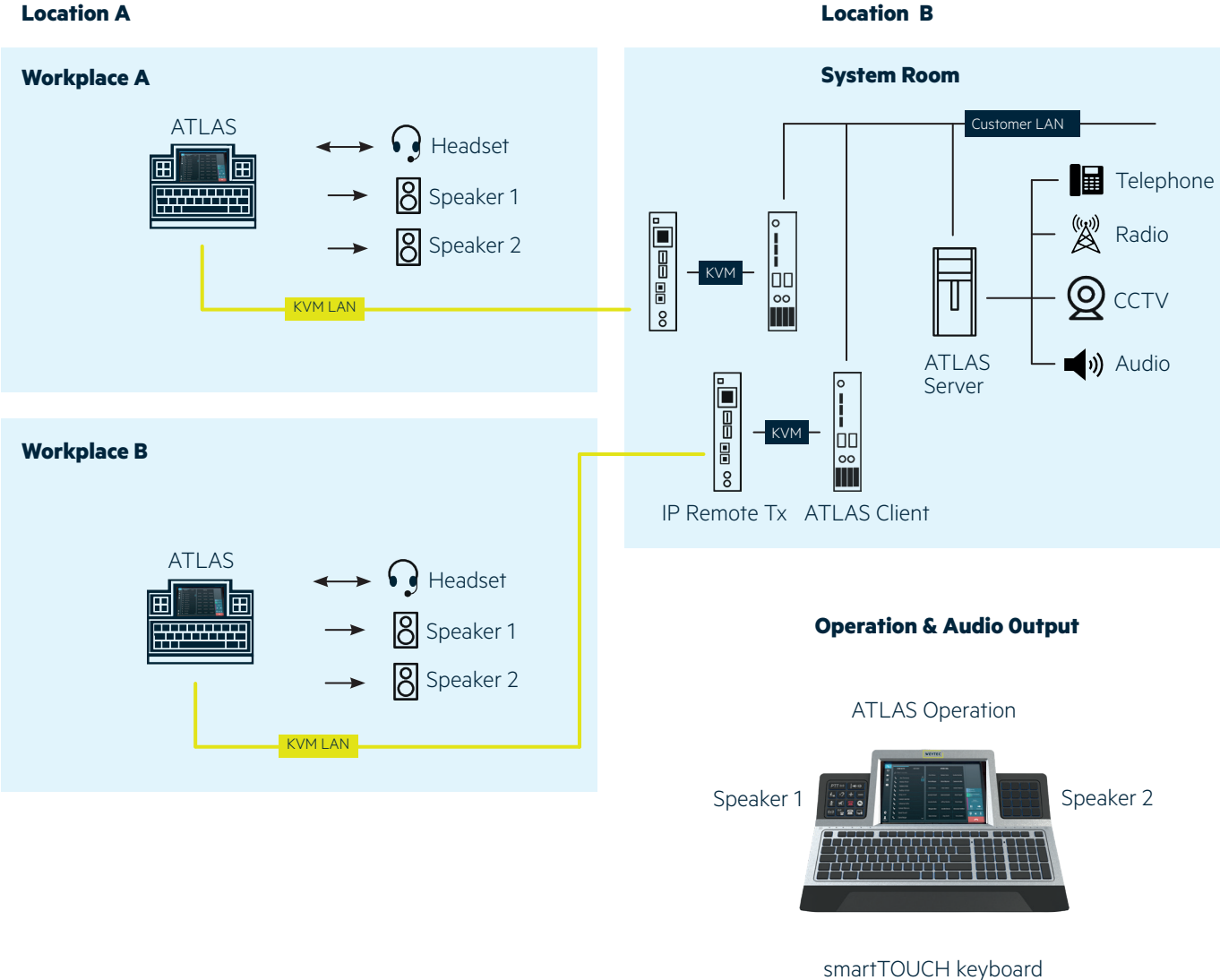


## WHY WEYTEC

**CONTROL DIFFERENT SYSTEMS**

... with one single application

**Application Example**



**Available products and solutions**

Art. No.	Description
26925	ATLAS solution (KVM for Control and Communication)