

## KVM over IP

## IP REMOTE USB II

Using USB devices with WEYTEC KVM solutions



## WHY WEYTEC

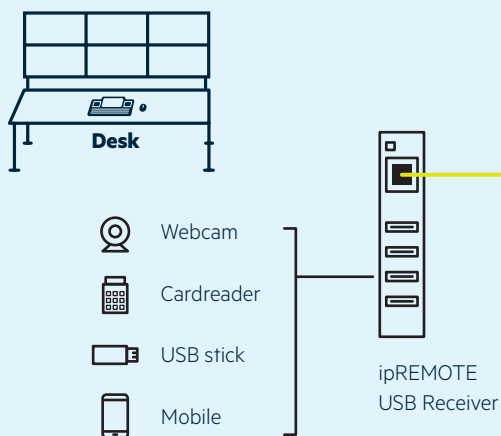
USB across multiple geographical locations and network segments (OSI layer 3)

**WEYTEC ipREMOTE USB II provides a transparent USB channel for devices such as hard disks, flash drives, fingerprint and card readers, audio devices, webcams and more. In combination with a WEYTEC distributionPLATFORM, USB connections can be switched between desks and PCs.**

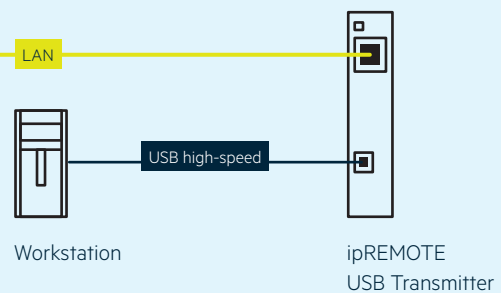
- Extend any USB device over standard IP networks
- Transparent USB (no drivers required)
- USB 2.0 high-speed
- Switchable, in combination with a WEYTEC distributionPLATFORM (WDP)
- Can be integrated into existing WEYTEC systems
- Works across multiple sites / network segments
- Up to 16 USB end points
- Built-in to WEYTEC KVM chassis and/or boxes

## Application example: Point-to-Point Environment

## Workplace



## System Room

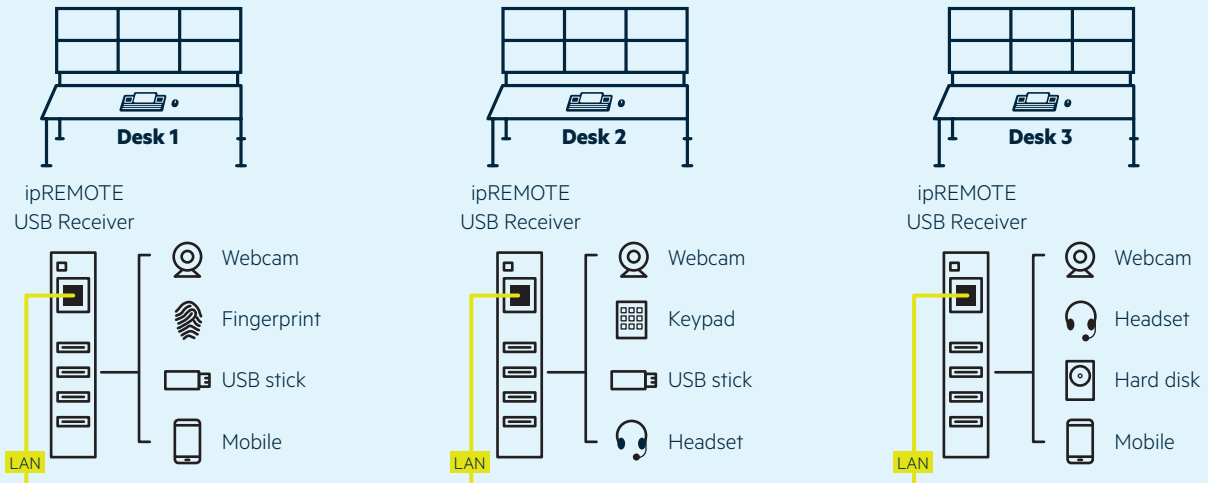


**Application example: Switched Environment**

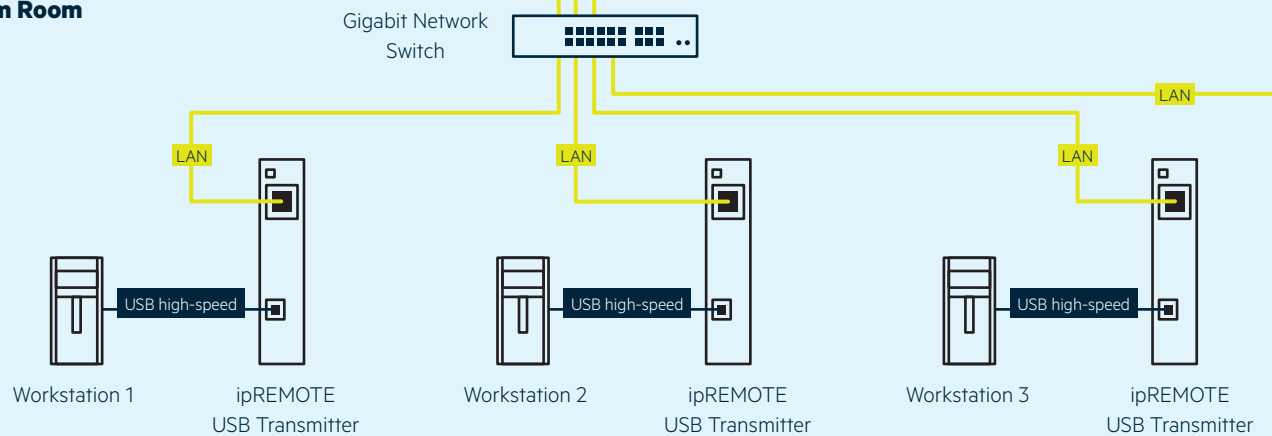
**WHY WEYTEC**

**Add transparent  
USB 2.0 HIGH-SPEED  
to existing WEYTEC systems**



**Workplace**



**System Room**



**Available products**

	<b>ipREMOTE USB II Transmitter</b> Product No. 24876T	<b>ipREMOTE USB II Receiver</b> Product No. 24876R
		
USB	1 x USB 2.0 Type B high-speed (transparent mode, max. 16 Endpoints), maximum cable length 3 m	4 x USB 2.0 Type A high-speed (transparent mode, max. 16 Endpoints), maximum cable length 5 m
Network	1 x RJ45 1000 BASE-T, Cat 5e/6/7	
USB (Service Port)	1 x USB (2.0 full-speed) Type Mini B 5 Pin	
IEEE 802.3ab	1000Base-T, Gigabit Ethernet	
Internet Protocol	IPv4 (fixed addressing), dedicated connection or via Ethernet switch/IP router ARP, ICMP Echo (ping), IGMPv3-Report (multicast)	
Mounting	Chassis and Boxes	